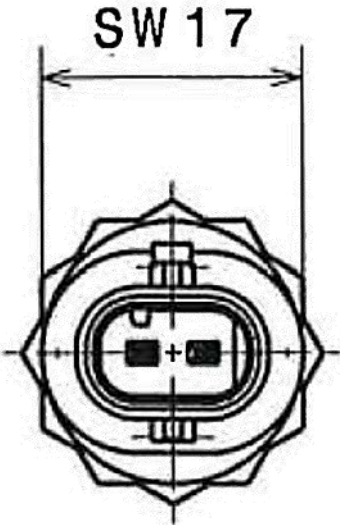
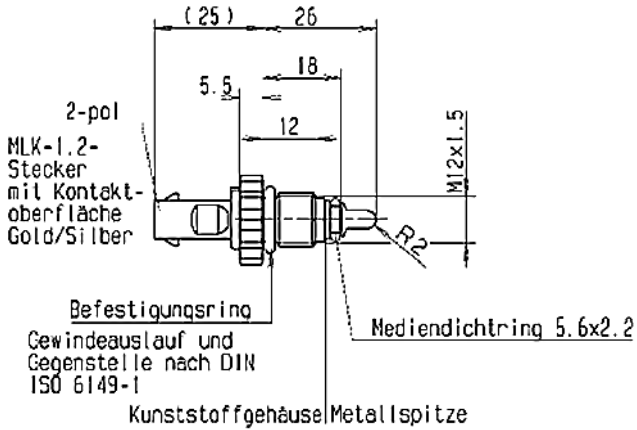


# Temperature sensor

## 94081

NTC Sensor



Connector		Dimensions	
			
<b>Media</b>	Liquid media e.g. water, oil	<b>Plastic thread</b>	M12 x 1.5
<b>Temperature range</b>	- 40 °C to + 140 °C	<b>Connector</b>	MLK 1.2, Female connector on request
<b>Nominal resistance</b>	2521 Ω (20 °C) / 190 Ω (100 °C) *	<b>Sealing concept</b>	O-ring media dependent
<b>Response time</b>	T 90 < 10 s	<b>Protection range</b>	IP6k9k